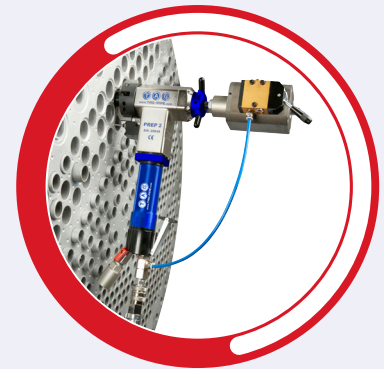




PIPE EQUIPMENT SPECIALISTS

PREP 2 PIPE BEVELLING 1/2" to 1 1/2"



SCAN QR CODE
TO WATCH VIDEO



TAG PREP 2

Portable Pipe Beveling Machine

RANGE: 23 - 42mm i/d / 0.9 - 1.5" i/d
(optional from 12.5mm i/d / 0.5" i/d)

- **Functions:** External beveling / internal beveling / elbow and fittings beveling / facing, counter-boring / weld removal / J-prepping and facing of tube plate
- **Materials:** Any kind of steel and exotic alloy
- **Power:** Pneumatic, electric or battery (110v or 220v)

The smallest in our range of i/d locking, direct in-line feed end prep machines. The PREP 2 is small, light weight, yet powerful, in electric, battery (110v or 220v) or pneumatic drive form. A 4-jaw tool holder (chuck) allows use of up to 4 formed tools to enable weld preparation of thin wall tube, or heavy wall pipe. Simultaneous external and internal beveling and facing of tubes is simple, ideal for accurate repetitive work. Its size, power, and functionality, make it extremely popular in high volume heat exchanger work, tube facing, weld removal, and J-prepping of the tube plate. Also used extensively on power station shutdowns for boiler panel bevels.

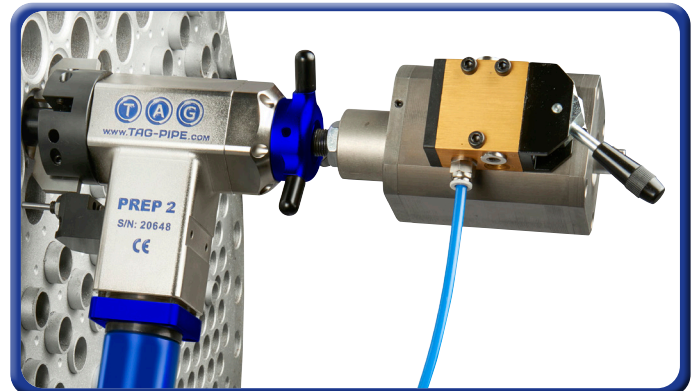


FEATURES AND ADVANTAGES

The PREP 2 is torque reactive. This means that the pipe or tube does not have to be fixed to be bevelled, making it particularly useful on-site, in maintenance and repair situations. This is due to the design and strength of the thru shaft system that locks to the bore of the pipe.

The jaw system itself consists of 3 equilateral positioned machined jaw segments, retained and locked on an inner, 'grooved' expansion shaft. These grooves keep the jaws held securely in position, unlike other systems that use a metal or rubber bands for jaw retention. As the expansion nut is tightened, the jaws expand, locking tightly, and square to the bore of the pipe.

The machine body is CNC machined out of solid aluminum and nickel plated. This ensures strength and leads to precise tolerances on all components, resulting in a stable heavy duty machine that does not move under load, we also ensure all components are treated utilising the latest technologies to ensure durability.



POWER OPTIONS:

PNEUMATIC



PART NO. TP2P

ELECTRIC



PART NO. TP2E110
PART NO. TP2E220

BATTERY



PART NO. TP2B110
PART NO. TP2B220

PNEUMATIC ALD



PART NO. TP2PALD

COMPLETE LEVER



PART NO. TP2PALL

ACCESSORIES AND OPTIONS:

REDUCED SHAFT

12.5 - 23mm i/d
0.5 - 0.9" i/d



PART NO. TP2RSK

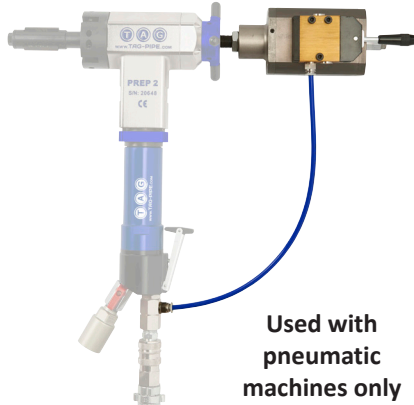
ELBOW / FITTINGS SHAFT



26 - 51mm i/d
1 - 2" i/d

PART NO. TP2ESK

AUTO LOCK



Used with pneumatic machines only

PART NO. TP2ALD

RATCHET HANDLES



PART NO. TP2RHK

FEED STOPPER



PART NO. TP2FSK

MILLING HEADS



PART NO. CTBHSF***

PREP 2 TECHNICAL FEATURES

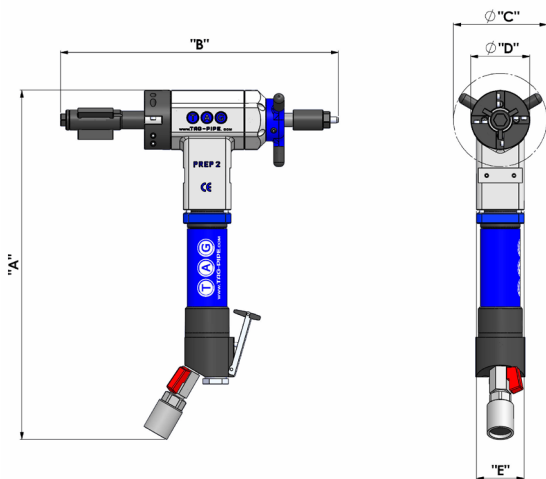
DESCRIPTION	MEASUREMENT	PNEUMATIC	ELECTRIC	BATTERY
Part Number	n/a	TP2P / TP2PALD / TP2PALL	TP2E110 / TP2E220	TP2B110 / TP2B220
Locking tube range	mm (i/d)	23 - 42 optional from 12.5	23 - 42 optional from 12.5	23 - 42 optional from 12.5
Locking tube range	inch (i/d)	0.9 - 1.5" optional from 0.5"	0.9 - 1.5" optional from 0.5"	0.9 - 1.5" optional from 0.5"
Idle speed	rpm	5 - 215	5 - 250	80 / 120 / 160
Torque	N m	56	50	60
Length of axial feed	mm	24	24	24
Max operating temperature	°C	55	55	55
Max acoustic radiation	dB	75	75	75
Pneumatic motor power	hp	0.7	n/a	n/a
Air consumption	cfm / l/min.	28 / 800	n/a	n/a
Air working pressure	psi / bar	90 / 6.5	n/a	n/a
Air hose connection	inches	½"	n/a	n/a
Electric motor power	watt	n/a	720	800
Voltage	volt	n/a	110 or 220	charger 110 or 220
Frequency	Hz	n/a	50 / 60	charger 50 / 60
Unit weight	kg / lbs	4.8 / 10.6	5.5 / 12	5.7 / 12.5
Packing dimensions	mm	545 x 400 x 120	545 x 400 x 120	560 x 570 x 120
Packing weight	kg / lbs	13.5 / 30	14.5 / 32	15.5 / 34

Our group policy is one of continuous improvement. Products and data tables are subject to change and may vary from those illustrated.

- All units are supplied complete with all gripping segments to cover the full range of the machine. Service tools, drawings, instruction manual and warranty certificate are also supplied as standard.
- Each machine is supplied with a protective custom built metal box.
- Pneumatic machine must be used with filter lubricator and oil - use without will void warranty.



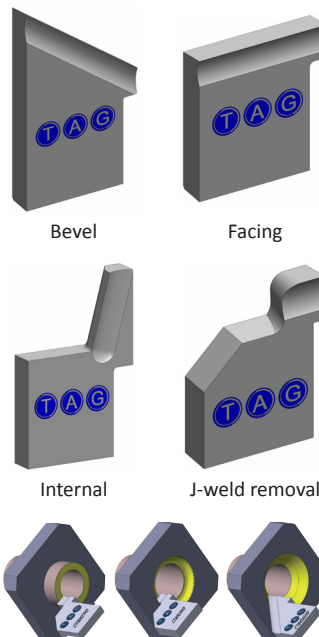
DIMENSIONS



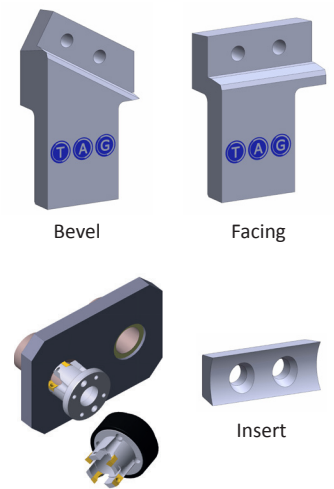
DIM	PNEUMATIC	ELECTRIC	BATTERY
A	400mm	430mm	470mm
B	316mm	316mm	316mm
ØC	106mm	106mm	106mm
ØD	67mm	67mm	67mm
E	54mm	72mm	72mm

EXAMPLES OF COMMON CUTTING TOOLS

FORMED TOOLS



HOLDER / INSERT



All shapes, sizes and angles available